

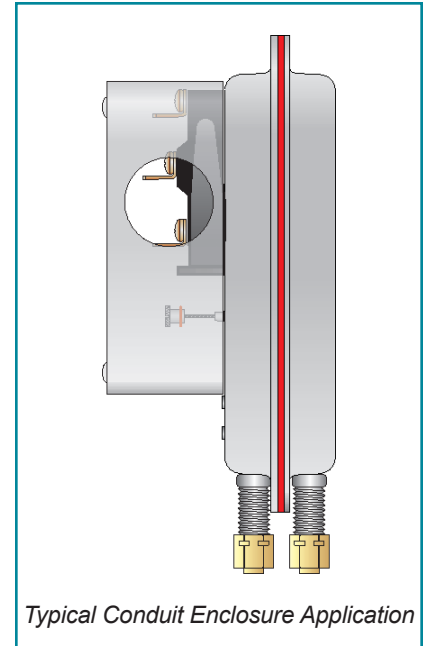
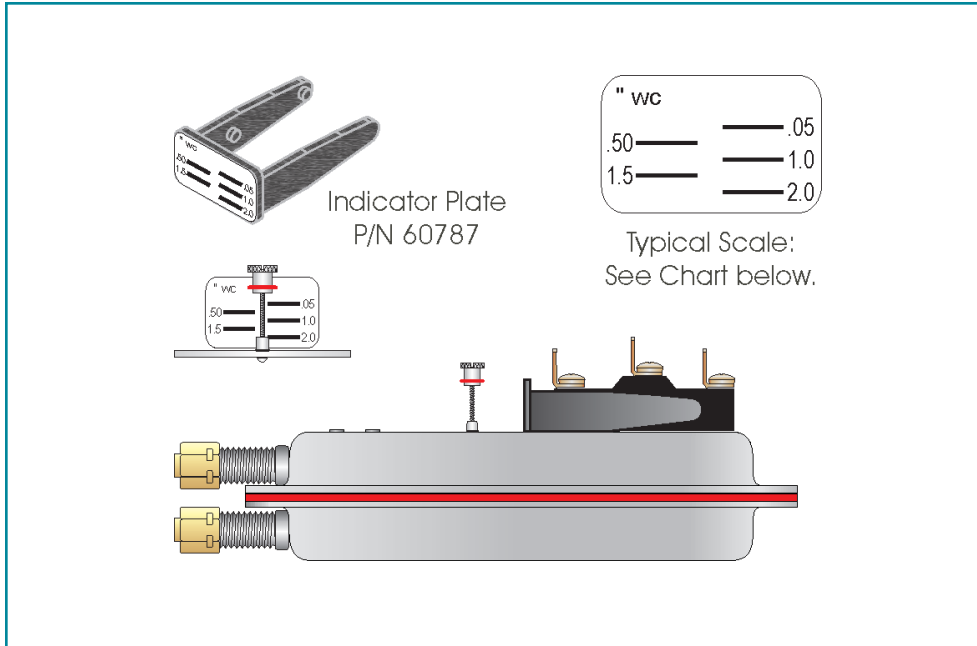


Cleveland Controls

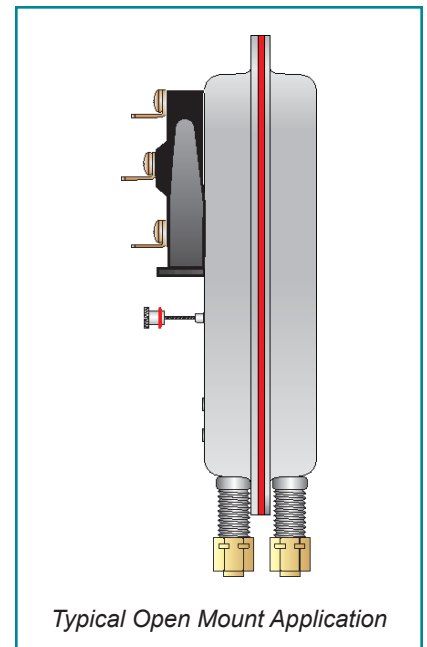
Division of UniControl Inc.

Set Point Indicator

AIRSWITCH MODEL SUFFIX "-379(X)"



SET POINT RANGE SCALES			
Specification Number	Range Suffix (x)	Range	Units
60802-000	A	.05 - 1.0	inches w.c.
60802-001	B	.05 - 2.0	inches w.c.
60802-002	C	.05 - 12.0	inches w.c.
60802-003	D	.40-12.0	inches w.c.
60802-004	E	.15 - 2.0	inches w.c.
60802-005	F	.15 - 5.0	inches w.c.
60802-006	G	Future	Future
60802-007	H	Future	Future
60802-008	J	37 - 1245	PA



Cleveland Controls
DIVISION OF UNICONTROL INC.
1111 Brookpark Rd
Cleveland OH 44109

Tel: 216-398-0330
Fax: 216-398-8558
Email: salesvac@unicontrolinc.com
Web page: <http://www.clevelandcontrols.com>

Are you reading a FAX or a COPY of this bulletin? DOWNLOAD the full-color PDF version of this and other literature at our website!