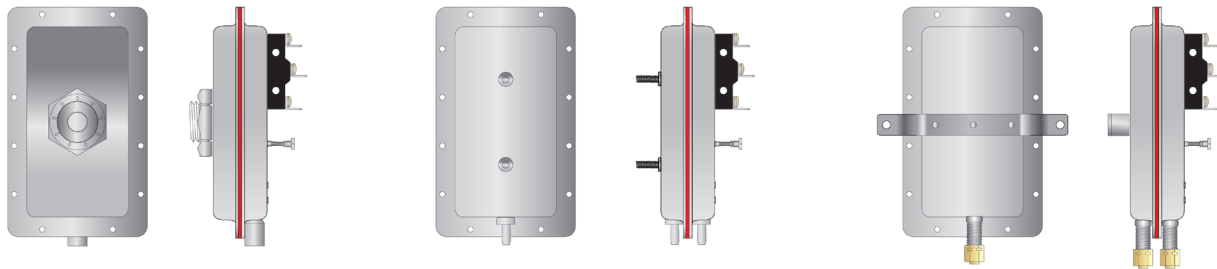




STANDARD & POPULAR FOOT MOUNTS, STUD MOUNTS & BRACKETS

The standard mounting for Series AFS, DFS, ANA and PS switches is a horizontal strap bracket with mounting legs. This popular mounting is highly versatile, but many other standard and custom mountings are available inexpensively. Figure 1 shows a few common mounting styles.

Figure 1: Typical Mounting Styles for Series AFS, DFS and ANA:



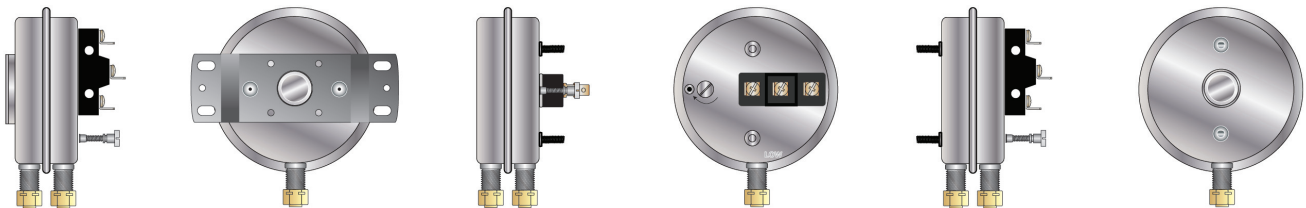
1" pipe thread with internal 1/4" pipe thread for sample line – Pal Nut available for securing to mounting bracket.

Two 10 – 32 studs.

Horizontal strap bracket.

The standard mounting for Series RFS and Series GRFS switches is a horizontal strap bracket with mounting legs. This popular mounting is highly versatile, but many other standard and custom mountings are available inexpensively. Figure 2 shows a few common mounting styles.

Figure 2: Typical Mounting Styles for Series RFS and GRFS:



Horizontal strap bracket.

Top mounting: two 10 – 32 studs.

Bottom mounting: two 10 – 32 studs.



Cleveland Controls
DIVISION OF UNICONTROL INC.
1111 Brookpark Rd
Cleveland OH 44109

Tel: 216-398-0330

Fax: 216-398-8558

Email: salesvac@unicontrolinc.com

Web page: <http://www.clevelandcontrols.com>

Are you reading a FAX or a COPY of this bulletin? DOWNLOAD the full-color PDF version of this and other literature at our website!

The standard mounting for Series NS2™ switches is an integral foot bracket. This popular mounting is highly versatile, but many other standard and custom mountings are available inexpensively. Figure 3 shows the integral foot bracket and two other common mounting brackets.

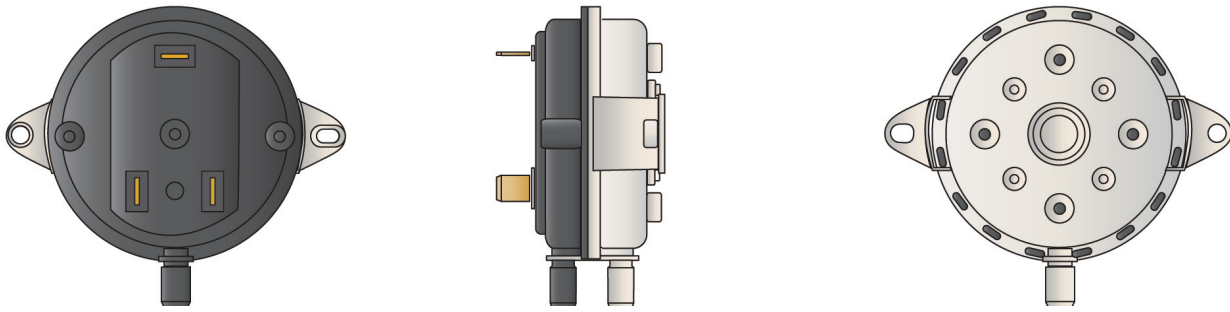


Figure 3 A. Integral Foot Bracket.

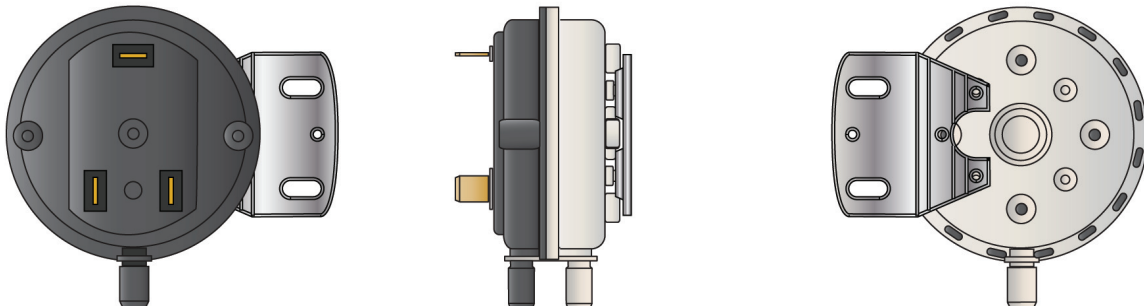


Figure 3B: Half-strap Bracket.

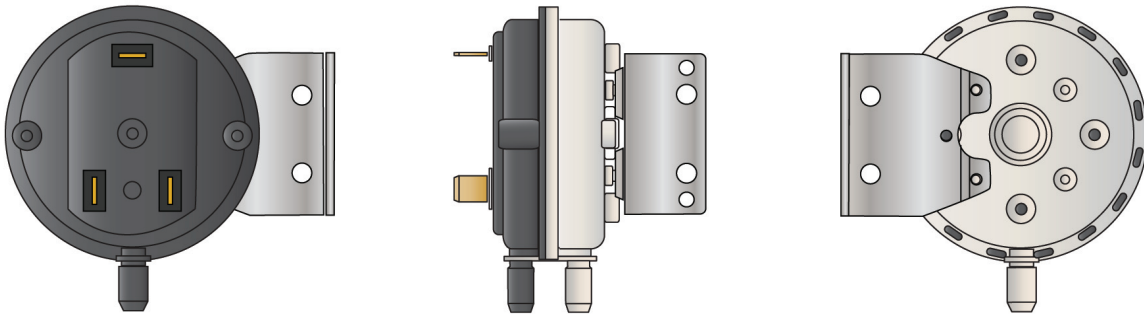


Figure 3C: "L" Angle Bracket.

The Series RSS switches are equipped with an integral foot bracket, as shown in Figure 4.

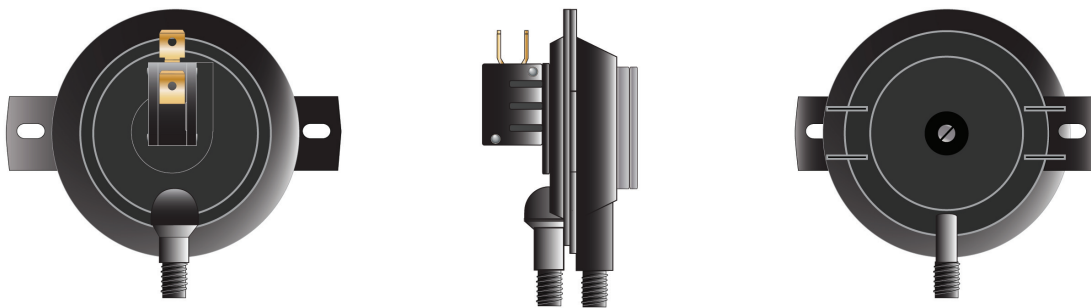


Figure 4: Series RSS switches with integral foot bracket.

Please check with the Cleveland Controls Sales Office for more information on any the mounting styles and switch families described in this bulletin. In addition to the styles featured here, we have many more standard optional mounting styles. If we don't have exactly what you need, we will design a custom mounting for your application.