

# "P-32" Contractor Kits

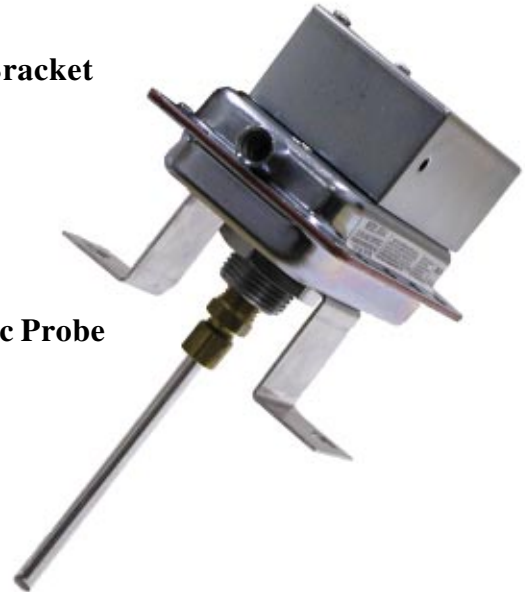
for use with Airswitch Model AFS-A

L - Bracket



Impact Probe

U - Bracket



Static Probe

**Cleveland Controls** Air Flow Sensing Switch Model AFS-A can be ordered in a "P32" kit consisting of a Model AFS-A Air Switch, a static or impact probe of either four or six inch length, and a "U" or "L" mounting bracket with a set of components to install it in most standard applications. Kits are packaged in compact cardboard boxes designed for the contractor's convenience. Each box is specifically labeled. Custom label requirements (such as barcoding, proprietary part numbers and logos) can also be provided. **To order, select the appropriate kit from the table.**

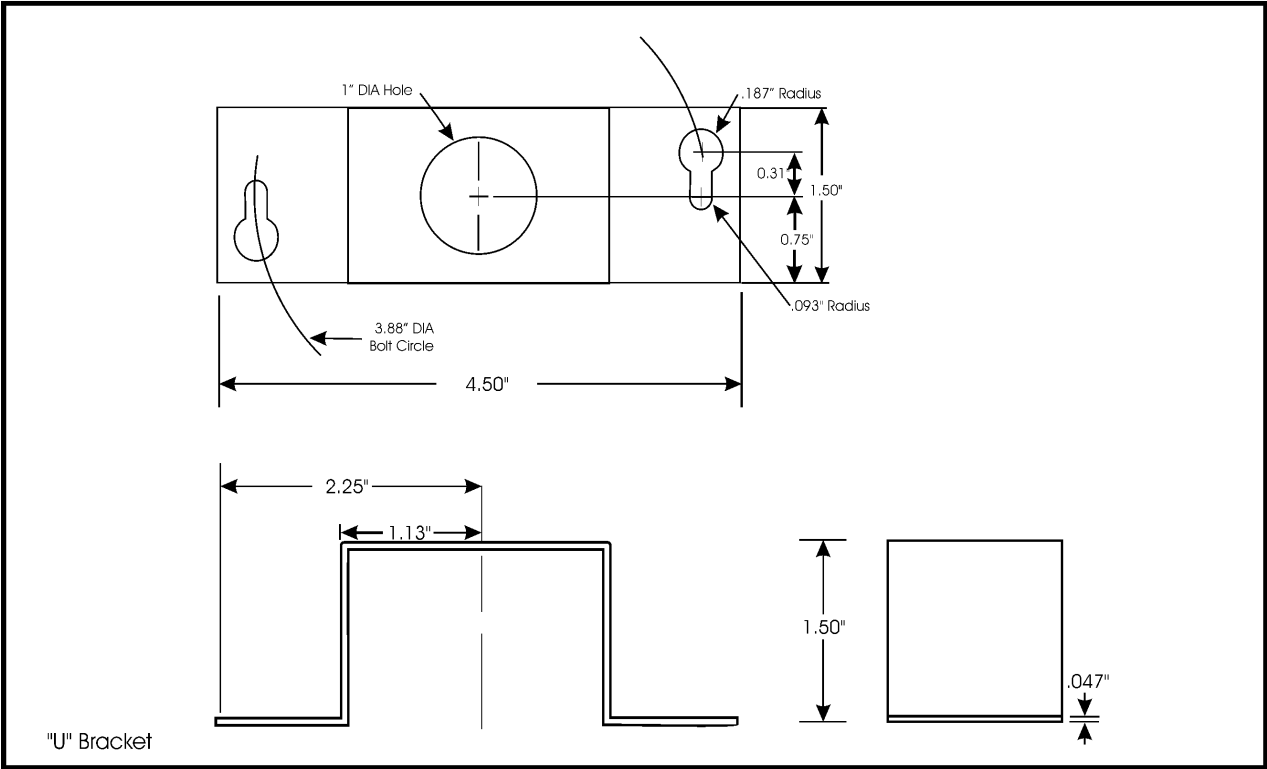
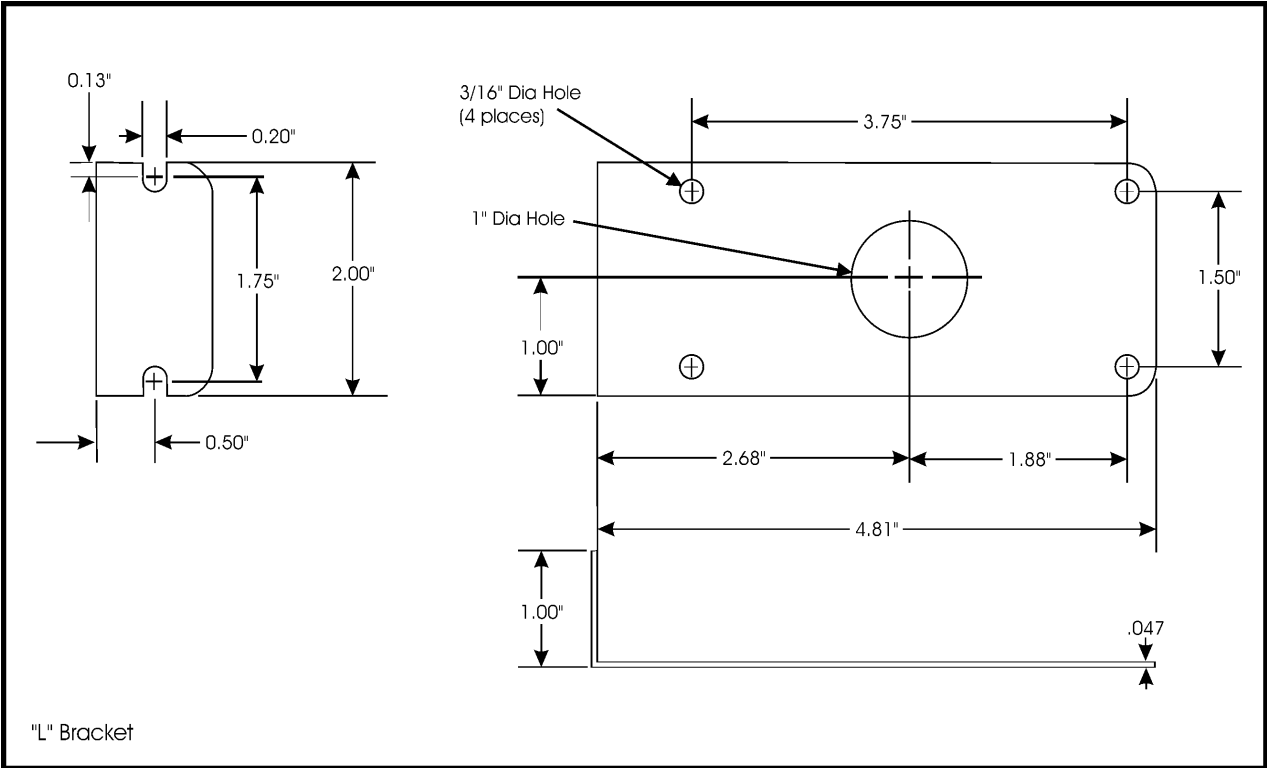
Model Number	Bracket	Probe
AFS-A-P32-U-4I	U	Impact, 4"
AFS-A-P32-U-6I	U	Impact, 6"
AFS-A-P32-U-4S	U	Static, 4"
AFS-A-P32-U-6S	U	Static, 6"
AFS-A-P32-L-4I	L	Impact, 4"
AFS-A-P32-L-6I	L	Impact, 6"
AFS-A-P32-L-4S	L	Static, 4"
AFS-A-P32-L-6S	L	Static, 6"



**Cleveland Controls**  
Division of UniControl Inc.

1111 Brookpark Road • Cleveland OH 44109  
TEL: (216) 398-0330 • FAX: (216) 398-8558 <http://www.clevelandcontrols.com>

Bulletin AFS32.00



**Cleveland Controls**  
Division of UniControl Inc.

1111 Brookpark Road • Cleveland OH 44109  
TEL: (216) 398-0330 • FAX: (216) 398-8558 <http://www.clevelandcontrols.com>