

Model D-06100-00

SINGLE POINTER GAUGES

DRAFT, PRESSURE, AND DIFFERENTIAL PRESSURE GAUGES FOR EFFICIENT COMBUSTION CONTROL

FEATURES

- **Dust-Tight Shadowbox Enclosure of Bonderized Steel, Black Polane® Finish**
- **Suitable for Surface or Semi-Flush Panel Mounting**
- **Large-Area Dry Diaphragm Sensing Element**
- **Stainless Steel Pivot Points**

APPLICATIONS

The Hays Cleveland Series 6100 SINGLE POINTER GAUGES provide maintenance-free service and maximum convenience at an economical price. These rugged, dependable gauges are suitable for any application requiring an accurate continuous indication of combustion draft or pressure conditions. They are intended for use with combustion air only, and should not be used in any application where the measured medium is an inflammable or explosive gas or contains corrosive chemicals.

Among other standard features are a three-way selector valve to permit resetting to zero and cleaning sample lines without disturbing factory-set calibration, and a special beryllium calibrating spring that provides permanent, unvarying tension.

MODELS

SERIES DG DRAFT GAUGES provide continuous indication of furnace draft for efficient regulation of damper and fan controls. **DG** gauges are also used to measure draft at the boiler outlet

DB6100.01

for comparison with furnace draft, indicating draft loss through the boiler. An abnormally high loss indicates excessive sooting. Draft (negative) and Compound (zero-crossing) ranges are available.

SERIES PG PRESSURE GAUGES provide continuous indication of windbox or furnace pressure with pressure-fired burners for efficient regulation of firing equipment and forced-draft fan. **PG** gauges are also used on forced-draft stokers to measure undergrate pressure, warning of “blow holes,” clinker formations, or a too-porous fuel bed. Pressure (positive) and Compound (zero-crossing) ranges are available.

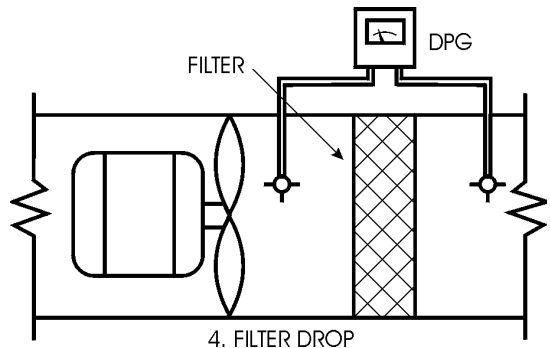
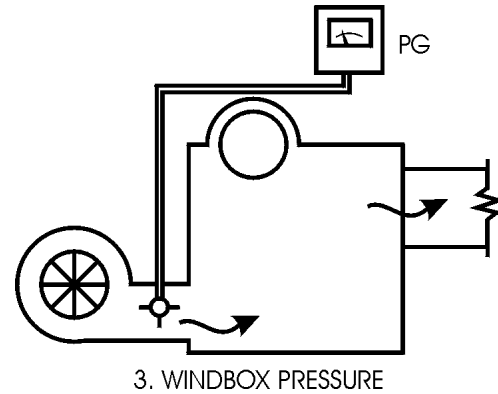
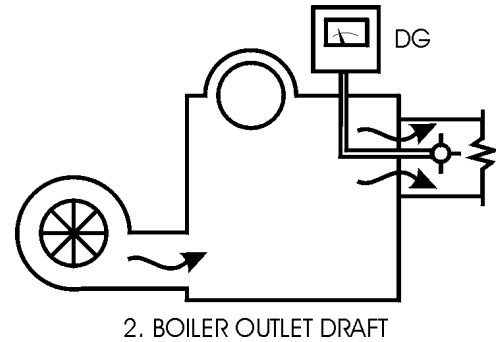
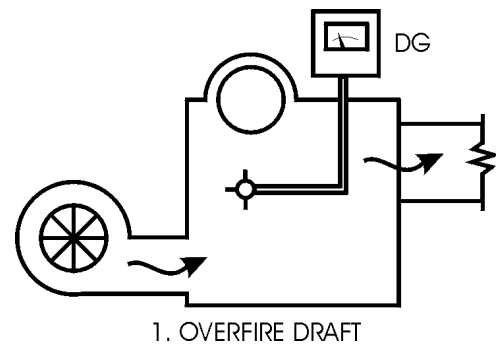
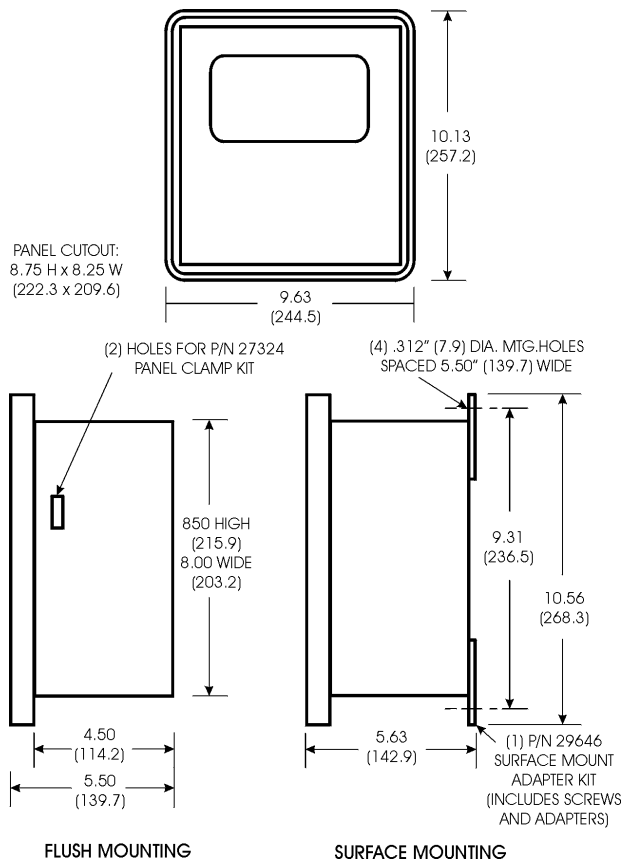
SERIES DPG DIFFERENTIAL PRESSURE GAUGES measure the variance in air pressure between two locations in an air passage, such as before and after a filter, blower, orifice, or baffle. The pointer indicates the pressure differential between the upstream and downstream process points. The primary use of the **DPG** model is as a filter gauge: a high differential indicates that the filter is dirty and needs to be changed. Draft (negative) or Pressure (positive) differentials can be measured. Static tips are provided for sample line inlets to insure the accuracy of the air sample.

ORDERING

Specify the model number required from the table below. The gauge will be supplied with brackets for semi-flush panel mounting. For surface mounting, order a **P/N 29646** Surface Mounting Kit.

All gauges are factory-equipped with **P/N 00783** 3-Way Valve. Differential Pressure models are supplied with two 3-Way Valves, in addition to a pair of static tips.





STANDARD MODELS AND RANGES

Model Number	Application	Range
DG-1	Draft (Negative Pressure)	0 to -1.0" w.c.
DG-5	Draft (Negative Pressure)	0 to -0.5" w.c.
PG-2.5	Pressure	0 to +2.5" w.c.
PG-5	Pressure	0 to +5.0" w.c.
PG-10	Pressure	0 to +10.0" w.c.
DG-C4	Compound (Zero-Crossing)	+1.0 to -0.4" w.c.
DG-C41	Compound (Zero-Crossing)	+0.1 to -0.4" w.c.
PG-C4	Compound (Zero-Crossing)	-0.4 to +4.0" w.c.
DPG-5	Differential Pressure	0 to 0.5" w.c.
DPG-1	Differential Pressure	0 to 1.0" w.c.

Visit us on the World Wide Web at www.hayscleveland.com

Hays Cleveland Div. of UniControl Inc.
1903 South Congress Avenue
Boynton Beach FL 33426
Telephone: 561.734.9400
Fax: 561.734.8060
Email: salescombustion@unicontrolinc.com

Hays Cleveland Div. of UniControl Inc.
1111 Brookpark Road
Cleveland OH 44109
Telephone: 216.398.4414
Fax: 216.398.8558
Email: salescombustion@unicontrolinc.com