

Model F-00872-SER ROTARY ELECTRICAL ACTUATORS

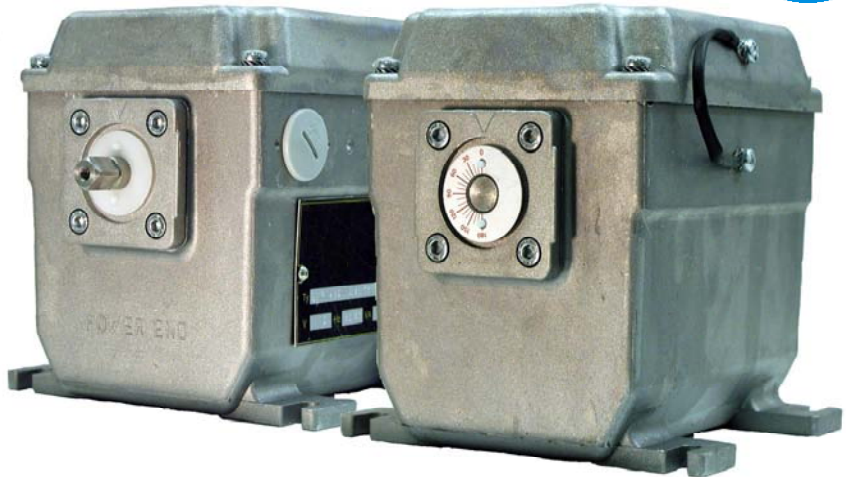
SER
mounts on
Modmotor
bracket!

The Hays Cleveland Model F-00872-SER ROTARY ELECTRICAL ACTUATORS offer long life, safety, reliable operation, and easy maintenance. These compact units are available with a full range of options for maximum flexibility in any combustion control or process control application.

SER series ROTARY ACTUATORS accept relay input, 4-20 ma DC or 0-10 v DC control signals to position a final control element. A heavy-duty bi-directional motor drives the output shaft in either direction with a rotation of 90 degrees in a travel time of 30 or 60 seconds.

Both the shaft and the gears feature rugged construction to hold up under heavy-duty service, and as the gear group is immersed in grease, no further lubrication is required. The durable aluminum housing allows operation in even the most severe environmental conditions.

Optional features are available to suit any combustion control or process control application. These include a retransmission potentiometer (2000 ohm), an automatic/manual station and an "open/stop/ closed" selector switch, up to three extra SPDT switches, and



an electronic positioner (either 0-10 v or 4-20 ma DC). SER series actuators offer true indication of valve position.

HOW TO ORDER

The basic catalog number for the Model F-00872-SER series **ROTARY ELECTRICAL ACTUATOR** is shown below. Replace suffixes A through F with the desired selections from the table below.

F-00872-SER-ABC-DEF

A. Torque/ Operating Time:

- 130 in-lbs/30 sec. (A=15/30)
- 175 in-lbs./60 sec. (A=20/60)

B. Power Supply:

- 24 v AC (B=24)
- 110/115 v AC (B=110)
- 220/240 v AC (B=220)

C. Hertz:

- 50 Hz (C=50)
- 60 Hz. (C=60)

D. Extra Switches:

- None (D=00)
- 1-SPDT (D=1E)
- 2-SPDT (D=2E)
- 3-SPDT (D=3E)

E. Potentiometer:

- None (E=0000)
- 2000 ohm (E=R2K5)

F. Optional Extras:

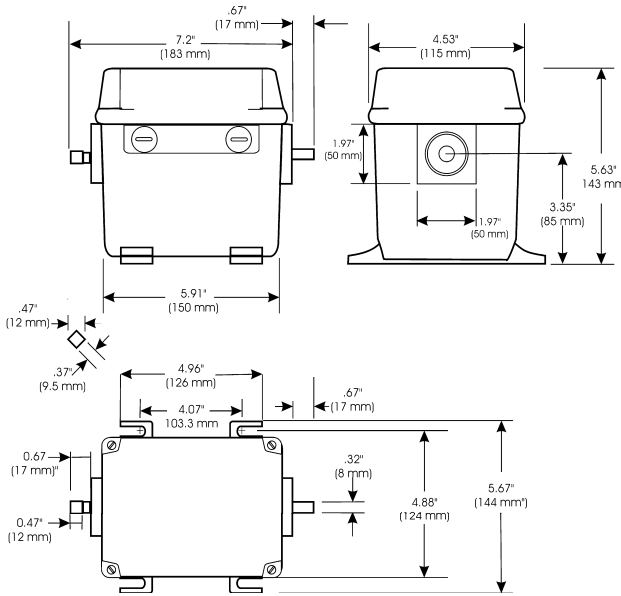
- No options: control input relay (F=00)
- Automatic/Manual Pushbuttons [110/240 v AC Only] (F=AM)
- 4-20 ma DC Positioner, Signal Input (F=A5)*
- 0-10 v DC Positioner, Signal Input (F=V9)*
- 4-20 ma DC with Auto/Manual (F=AA)*
- 0-10 v DC with Auto/Manual (F=AV)*

* 24 v AC Model Only

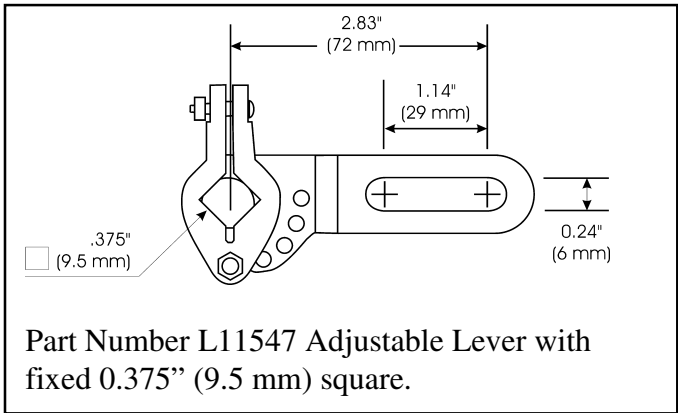
SPECIFICATIONS

- Motor:** Bi-directional.
- Torque:** 204 in-lbs max. (23Nm)
- Travel Time:** 30 or 60 seconds.
- Rotation Angle:** 90° std.
- Adjustability:** Between 20° and 180°.
- Mounting:** Any position.
- Operation:** Continuous.
- Driving Shaft:** 0.37" (9.5 mm.)
- Protection:** IP54.
- Power Supply:**
 - Voltage: 24v, 220/240v, or 110/115v.
 - Frequency: 50/60 Hz.
 - Absorbed Power: 4 va.
- Electrical Connections:** With terminals.
- Output Connections:** 2 Pg 13.5 cable glands.
- Ambient Temperature:** 14 to 122F (-10 to 60C) standard; 14 to 140F (-10 to 50C) with optional electronic positioner.
- Weight:** 9 lbs (4 kg) approximate.
- Auxiliary Output Switches:** Optional, 3 max; SPDT, adjustable. Electrical rating: 5a/250 v AC.
- Potentiometer:** 2000 ohm.
- Control Station:** Automatic/Manual and Selector Switch (open/stop/closed)
- Electronic Positioner:** for positioning a 24v AC actuator via a 0 -10 v DC / 4 -20 ma DC control signal. Direct or reverse action. Adjustable zero and span.
- Position Retransmission Signal:** Optional.
0-10v DC = 0-100%.

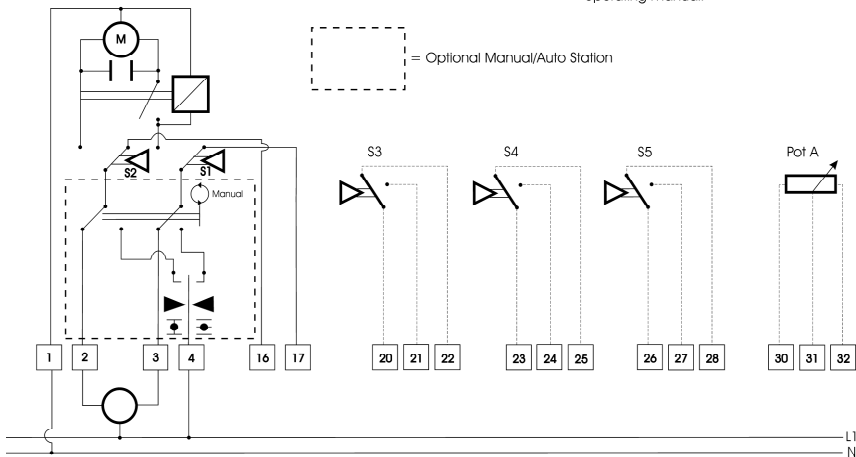
Specifications Subject to Change



Dimensions



Connections



Note: Connection Diagram for version with built-in positioner is included in the operating manual.

Visit us on the World Wide Web at www.hayscleveland.com
 Hays Cleveland Div. of UniControl Inc.
 1903 South Congress Avenue
 Boynton Beach FL 33426
 Telephone: 561.734.9400
 Fax: 561.734.8060
 Email: salescombustion@unicontrolinc.com

Hays Cleveland Div. of UniControl Inc.
 1111 Brookpark Road
 Cleveland OH 44109
 Telephone: 216.398.4414
 Fax: 216.398.8558
 Email: salescombustion@unicontrolinc.com