

**Model L-05500-00**  
**REMOTE AUDIBLE/VISIBLE**  
**ALARM**

**SPECIFICATIONS**

**Power Requirements:** 120 v, 60 Hz.,  
 20 va

**Indication Light:** Flashing (Violation)

**Lens:** Large Red Beehive

**Audible Alarm:** Buzzer (Violation)

**Electrical Connections:** Two-Pole  
 Terminal Block

**Construction:** Durable Sheet Metal

**Finish:** Black Enamel

**REPLACEMENT PARTS**

**15 Watt Lamp:** Part # 15583

**Flasher:** Part # 15582

**Buzzer:** Part # 15524

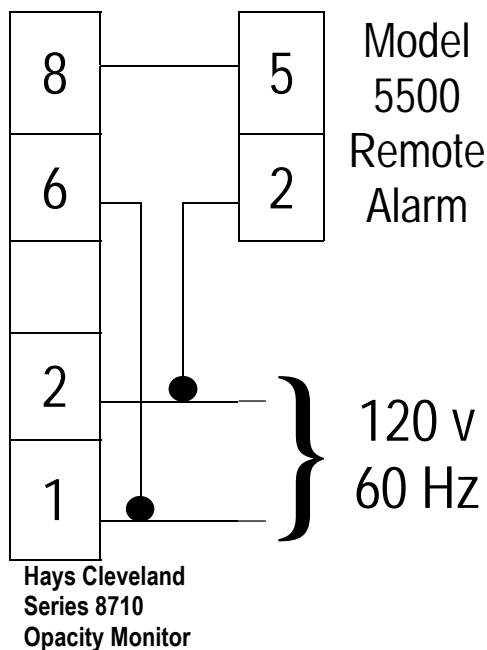
**Porcelain Receptacle:** Part # 15581

**Red Beehive Lens:** Part # 15580

**Terminal Strip:** Part # 15584



**EXTERNAL WIRING DIAGRAM**



Visit us on the World Wide Web at  
[www.hayscleveland.com](http://www.hayscleveland.com)

Hays Cleveland Div. of UniControl Inc.  
 1903 South Congress Avenue  
 Boynton Beach FL 33426  
 Telephone: 561.734.9400  
 Fax: 561.734.8060  
 Email: [salescombustion@unicontrolinc.com](mailto:salescombustion@unicontrolinc.com)

Hays Cleveland Div. of UniControl Inc.  
 1111 Brookpark Road  
 Cleveland OH 44109  
 Telephone: 216.398.4414  
 Fax: 216.398.8558  
 Email: [salescombustion@unicontrolinc.com](mailto:salescombustion@unicontrolinc.com)