

Standard Flush & Surface Mount Kits:

- **Panel Clamp Kit (P/N 27324)**
- **Bracket Kit (P/N 27392)**
- **Bracket Kit (P/N 29646)**

A number of Hays Cleveland products—Controllers, Analyzers, Recorders, Indicators and other instruments—are packaged in housings that can be surface-mounted (as on a wall), or flush-mounted (through a cutout in a panel face). The three different hardware kits discussed in this bulletin are available for any product which requires installation accessories. The panel clamp kit is automatically provided, and the surface mount bracket kits can be purchased separately. Consult the Sales Department for the correct size bracket kit for a particular product.

How to Install a Control with Panel Clamp Kit (P/N 27324)

1. Prepare the panel cutout hole according to the specifications for the particular product.
2. Insert the product enclosure through the cutout hole from the front of the panel.
3. Refer to Figure 1 and attach each of the 2 panel clamp assemblies provided as shown.
4. Tighten the screws against the back of the panel to hold the enclosure securely in place.

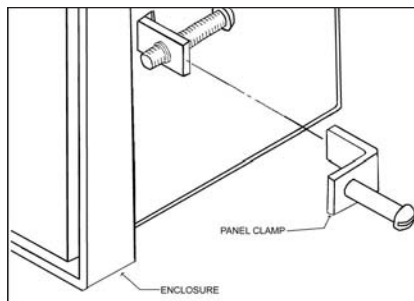


Figure 1

How to Install a Control with Surface Mount Bracket Kit (P/N 27392 or P/N 29646)

1. Locate the four screws in the mounting hole locations on the back of the enclosure. (Refer to Figure 2.)
2. Remove one screw and discard it. Use instead one of the flat head screws provided in the kit to attach one end of a surface mount bracket. Do not tighten the screw.
3. Remove a second screw from the enclosure. Swing the bracket into position and attach it with a flat head screw. Tighten both of the screws securely.
4. Repeat procedure for the second bracket.

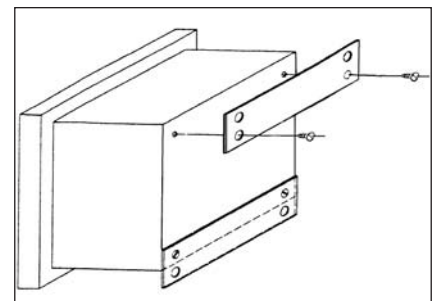
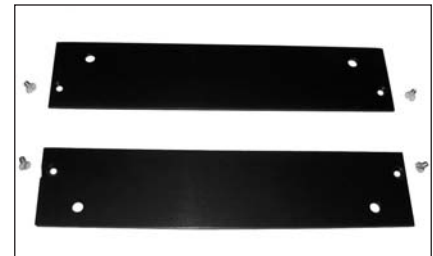


Figure 2

Distributed by:

1903 South Congress Avenue
Boynton Beach FL 33426
Telephone: 561.734.9400
Fax: 561.734.8060
email: salescombustion@unicontrolinc.com

Hays Cleveland Div. of UniControl Inc.

1111 Brookpark Road
Cleveland OH 44109
Telephone: 216.398.4414
Fax: 216.398.8558
email: salescombustion@unicontrolinc.com

Visit us on the World Wide Web: www.hayscleveland.com